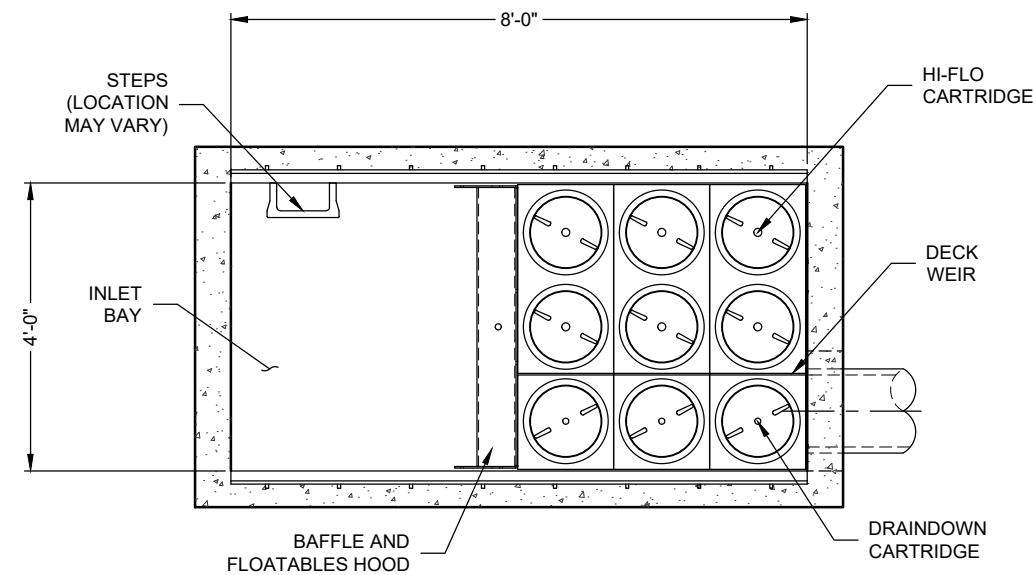


## JELLYFISH DESIGN NOTES

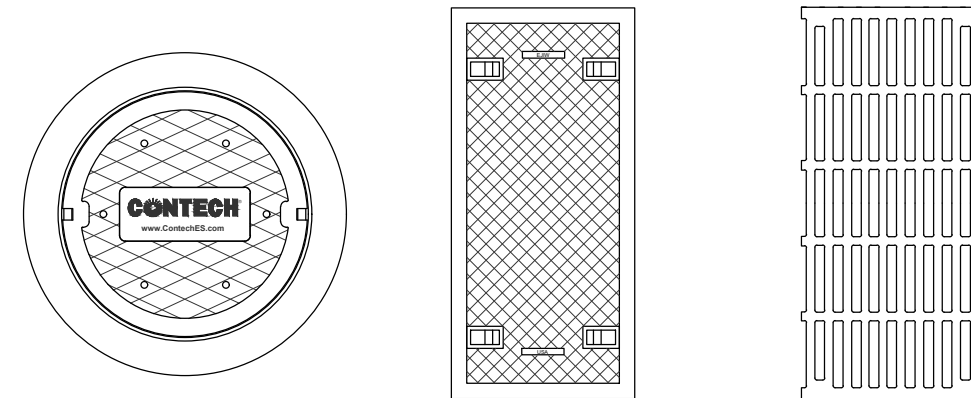
JELLYFISH TREATMENT CAPACITY IS A FUNCTION OF THE CARTRIDGE LENGTH AND THE NUMBER OF CARTRIDGES. THE STANDARD SURFACE INLET STYLE WITH TRENCH GRATE AND COVER IS SHOWN. ALTERNATE CURB INLET, PIPE INLET, OR SLAB TOP WITH EARTH COVER OPTIONS ARE AVAILABLE. PEAK CONVEYANCE CAPACITY TO BE DETERMINED BY ENGINEER OF RECORD.

### CARTRIDGE SELECTION

CARTRIDGE LENGTH	54"	40"	27"	15"
OUTLET INVERT TO STRUCTURE INVERT (A)	6'-6"	5'-4"	4'-3"	3'-3"
FLOW RATE HIGH-FLO / DRAINDOWN (CFS) (PER CART)	0.178 / 0.089	0.133 / 0.067	0.089 / 0.045	0.049 / 0.025
MAX. TREATMENT (CFS)	1.34	1.00	0.67	0.37
OUTLET INVERT TO RIM (MIN) (B)	3'-4"	3'-4"	3'-4"	3'-4"



**PLAN VIEW**  
(TOP SLAB NOT SHOWN FOR CLARITY)



**FRAME AND COVER**  
(DIAMETER VARIES)  
N.T.S.

**24"**  
**TRENCH COVER**  
N.T.S.

**24"**  
**TRENCH GRATE**  
N.T.S.

### SITE SPECIFIC DATA REQUIREMENTS

STRUCTURE ID	*
WATER QUALITY FLOW RATE (cfs)	*
PEAK FLOW RATE (cfs)	*
RETURN PERIOD OF PEAK FLOW (yrs)	*
# OF CARTRIDGES REQUIRED (HF / DD)	*
CARTRIDGE LENGTH	*

PIPE DATA:	I.E.	MAT'L	DIA	SLOPE %	HGL
INLET #1	*	*	*	*	*
INLET #2	*	*	*	*	*
OUTLET	*	*	*	*	*

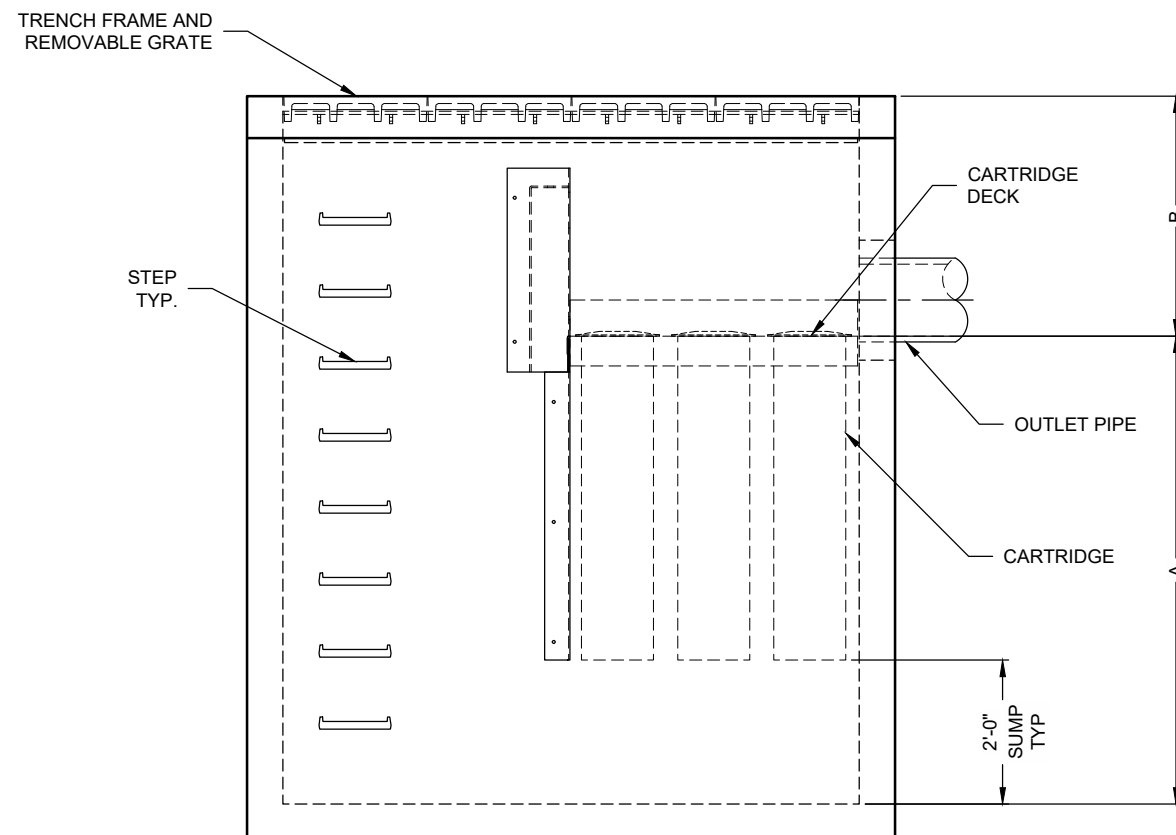
SEE GENERAL NOTES 6-7 FOR INLET AND OUTLET HYDRAULIC AND SIZING REQUIREMENTS.

RIM ELEVATION \_\_\_\_\_ \*

ANTI-FLOTATION BALLAST	WIDTH	HEIGHT
	*	*

NOTES/SPECIAL REQUIREMENTS:

\* PER ENGINEER OF RECORD



**ELEVATION VIEW**

### GENERAL NOTES:

- CONTECH TO PROVIDE ALL MATERIALS UNLESS NOTED OTHERWISE.
- FOR SITE SPECIFIC DRAWINGS WITH DETAILED STRUCTURE DIMENSIONS AND WEIGHT, PLEASE CONTACT YOUR CONTECH ENGINEERED SOLUTIONS REPRESENTATIVE. [www.ContechES.com](http://www.ContechES.com)
- JELLYFISH WATER QUALITY STRUCTURE SHALL BE IN ACCORDANCE WITH ALL DESIGN DATA AND INFORMATION CONTAINED IN THIS DRAWING. CONTRACTOR TO CONFIRM STRUCTURE MEETS REQUIREMENTS OF PROJECT.
- STRUCTURE SHALL MEET AASHTO HS-20 OR PER APPROVING JURISDICTION REQUIREMENTS, WHICHEVER IS MORE STRINGENT, ASSUMING EARTH COVER OF 0' TO 10', AND GROUNDWATER ELEVATION AT, OR BELOW, THE OUTLET PIPE INVERT ELEVATION. ENGINEER OF RECORD TO CONFIRM ACTUAL GROUNDWATER ELEVATION. CASTINGS SHALL MEET AASHTO M306 LOAD RATING AND BE CAST WITH THE CONTECH LOGO.
- STRUCTURE SHALL BE PRECAST CONCRETE CONFORMING TO ASTM C-857, ASTM C-918, AND AASHTO LOAD FACTOR DESIGN METHOD.
- OUTLET PIPE INVERT IS EQUAL TO THE CARTRIDGE DECK ELEVATION.
- THE OUTLET PIPE DIAMETER FOR NEW INSTALLATIONS IS RECOMMENDED TO BE ONE PIPE SIZE LARGER THAN THE INLET PIPE (WHERE APPLICABLE) AT EQUAL OR GREATER SLOPE.
- NO PRODUCT SUBSTITUTIONS SHALL BE ACCEPTED UNLESS SUBMITTED 10 DAYS PRIOR TO PROJECT BID DATE, OR AS DIRECTED BY THE ENGINEER OF RECORD.

### INSTALLATION NOTES

- ANY SUB-BASE, BACKFILL DEPTH, AND/OR ANTI-FLOTATION PROVISIONS ARE SITE-SPECIFIC DESIGN CONSIDERATIONS AND SHALL BE SPECIFIED BY ENGINEER OF RECORD.
- CONTRACTOR TO PROVIDE EQUIPMENT WITH SUFFICIENT LIFTING AND REACH CAPACITY TO LIFT AND SET THE STRUCTURE.
- CONTRACTOR WILL INSTALL AND LEVEL THE STRUCTURE, SEALING THE JOINTS, LINE ENTRY AND EXIT POINTS (NON-SHRINK GROUT WITH APPROVED WATERSTOP OR FLEXIBLE BOOT).
- CARTRIDGE INSTALLATION, BY CONTECH, SHALL OCCUR ONLY AFTER SITE HAS BEEN STABILIZED AND THE JELLYFISH UNIT IS CLEAN AND FREE OF DEBRIS. CONTACT CONTECH TO COORDINATE CARTRIDGE INSTALLATION WITH SITE STABILIZATION.

**Jellyfish Filter**

THIS PRODUCT MAY BE PROTECTED BY ONE OR MORE OF THE FOLLOWING: U.S. PATENT NO. 8,287,726; 8,221,618; US 8,123,935; OTHER INTERNATIONAL PATENTS PENDING

**CONTECH**  
ENGINEERED SOLUTIONS LLC

[www.ContechES.com](http://www.ContechES.com)  
9025 Centre Pointe Dr., Suite 400, West Chester, OH 45069  
800-338-1122 513-645-7000 513-645-7993 FAX

JELLYFISH JFSI0408  
STANDARD DETAIL  
SURFACE INLET CONFIGURATION

**Jellyfish<sup>®</sup> Filter  
Owner's Manual**



# Table of Contents

Chapter 1	1.0 Owner Specific Jellyfish Product Information.....	4
Chapter 2	2.0 Jellyfish Filter System Operations & Functions .....	5
	2.1 Components & Cartridges .....	6
	2.2 Jellyfish Membrane Filtration Cartridges Assembly .....	7
	2.3 Installation of Jellyfish Membrane Filtration Cartridges.....	7
Chapter 3	3.0 Inspection and Maintenance Overview .....	8
Chapter 4	4.0 Inspection Timing .....	8
Chapter 5	5.0 Inspection Procedure.....	8
	5.1 Dry Weather Inspections .....	8
	5.1 Wet Weather Inspections .....	9
Chapter 6	6.0 Maintenance Requirements.....	9
Chapter 7	7.0 Maintenance Procedure .....	9
	7.1 Filter Cartridge Removal .....	9
	7.2 Filter Cartridge Rinsing .....	9
	7.3 Sediment and Flotables Extraction .....	10
	7.4 Filter Cartridge Reinstallatino and Replacement.....	10
	7.5 Chemical Spills.....	10
	5.6 Material Disposal .....	10
	Jellyfish Filter Inspection and Maintenance Log .....	12

## THANK YOU FOR PURCHASING THE JELLYFISH® FILTER!

Contech Engineered Solutions would like to thank you for selecting the Jellyfish Filter to meet your project’s stormwater treatment needs. With proper inspection and maintenance, the Jellyfish Filter is designed to deliver ongoing, high levels of stormwater pollutant removal.

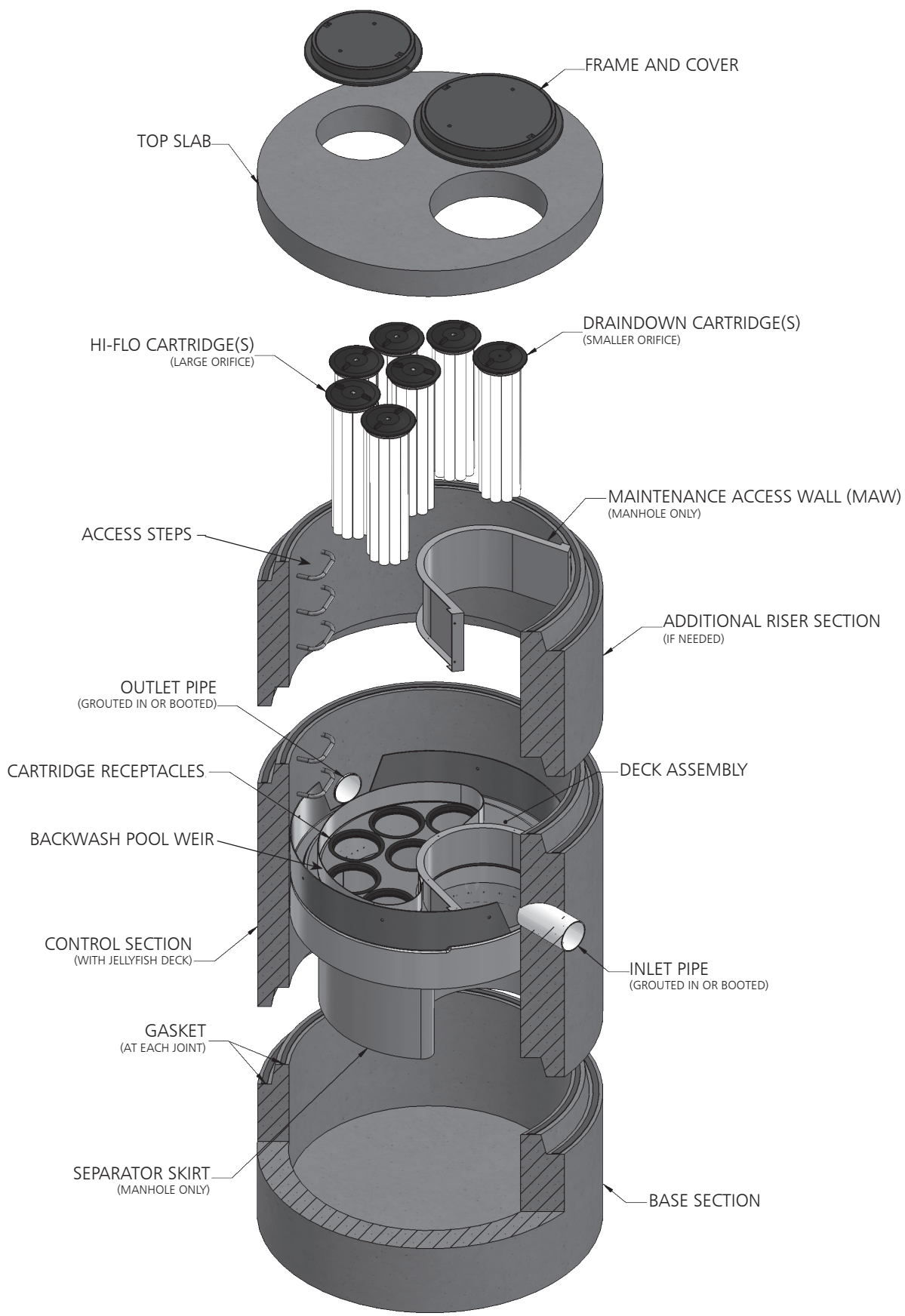
If you have any questions, please feel free to call us or e-mail us:

**Contech Engineered Solutions**  
9025 Centre Pointe Drive, Suite 400 | West Chester, OH 45069  
513-645-7000 | 800-338-1122  
www.ContechES.com  
info@conteches.com

### Jellyfish Filter Patents

The Jellyfish Filter is protected by one or more of the following patents:

U.S. Patent Nos. 8,123,935; 8,287,726; 8,221,618  
Australia Patent Nos. 2008, 286, 748  
Canadian Patent Nos. 2,696,482;  
Japanese Patent No. 5,646,681  
Korean Patent Nos. 10-1287539; 10-1400257  
New Zealand Patent Nos. 583,461; 604,227  
South African Patent No. 2010,01068  
\*other patents pending



## WARNINGS / CAUTION

1. FALL PROTECTION may be required.
2. WATCH YOUR STEP if standing on the Jellyfish Filter Deck at any time; Great care and safety must be taken while walking or maneuvering on the Jellyfish Filter Deck. Attentive care must be taken while standing on the Jellyfish Filter Deck at all times to prevent stepping onto a lid, into or through a cartridge hole or slipping on the deck.
3. The Jellyfish Filter Deck can be SLIPPERY WHEN WET.
4. If the Top Slab, Covers or Hatches have not yet been installed, or are removed for any reason, great care must be taken to NOT DROP ANYTHING ONTO THE JELLYFISH FILTER DECK. The Jellyfish Filter Deck and Cartridge Receptacle Rings can be damaged under high impact loads. This type of activity voids all warranties. All damaged items to be replaced at owner's expense.
5. Maximum deck load 2 persons, total weight 450 lbs.

## Safety Notice

Jobsite safety is a topic and practice addressed comprehensively by others. The inclusions here are intended to be reminders to whole areas of Safety Practice that are the responsibility of the Owner(s), Manager(s) and Contractor(s). OSHA and Canadian OSH, and Federal, State/Provincial, and Local Jurisdiction Safety Standards apply on any given site or project. The knowledge and applicability of those responsibilities is the Contractor's responsibility and outside the scope of Contech Engineered Solutions.

## Confined Space Entry

Secure all equipment and perform all training to meet applicable local and OSHA regulations regarding confined space entry. It is the Contractor's or entry personnel's responsibility to proceed safely at all times.

## Personal Safety Equipment

Contractor is responsible to provide and wear appropriate personal protection equipment as needed including, but not limited to safety boots, hard hat, reflective vest, protective eyewear, gloves and fall protection equipment as necessary. Make sure all equipment is staffed with trained and/or certified personnel, and all equipment is checked for proper operation and safety features prior to use.

- Fall protection equipment
- Eye protection
- Safety boots
- Ear protection
- Gloves
- Ventilation and respiratory protection
- Hard hat
- Maintenance and protection of traffic plan

## Chapter 1

### 1.0 – Owner Specific Jellyfish Filter Product Information

Below you will find a reference page that can be filled out according to your Jellyfish Filter specification to help you easily inspect, maintain and order parts for your system.

Owner Name:	
Phone Number:	
Site Address:	
Site GPS Coordinates/unit location:	
Unit Location Description:	
Jellyfish Filter Model No.:	
Contech Project & Sequence Number	
No. of Hi-Flo Cartridges	
No. of Cartridges:	
Length of Draindown Cartridges:	
No. of Blank Cartridge Lids:	
Bypass Configuration (Online/Offline):	

Notes:

---

---

---

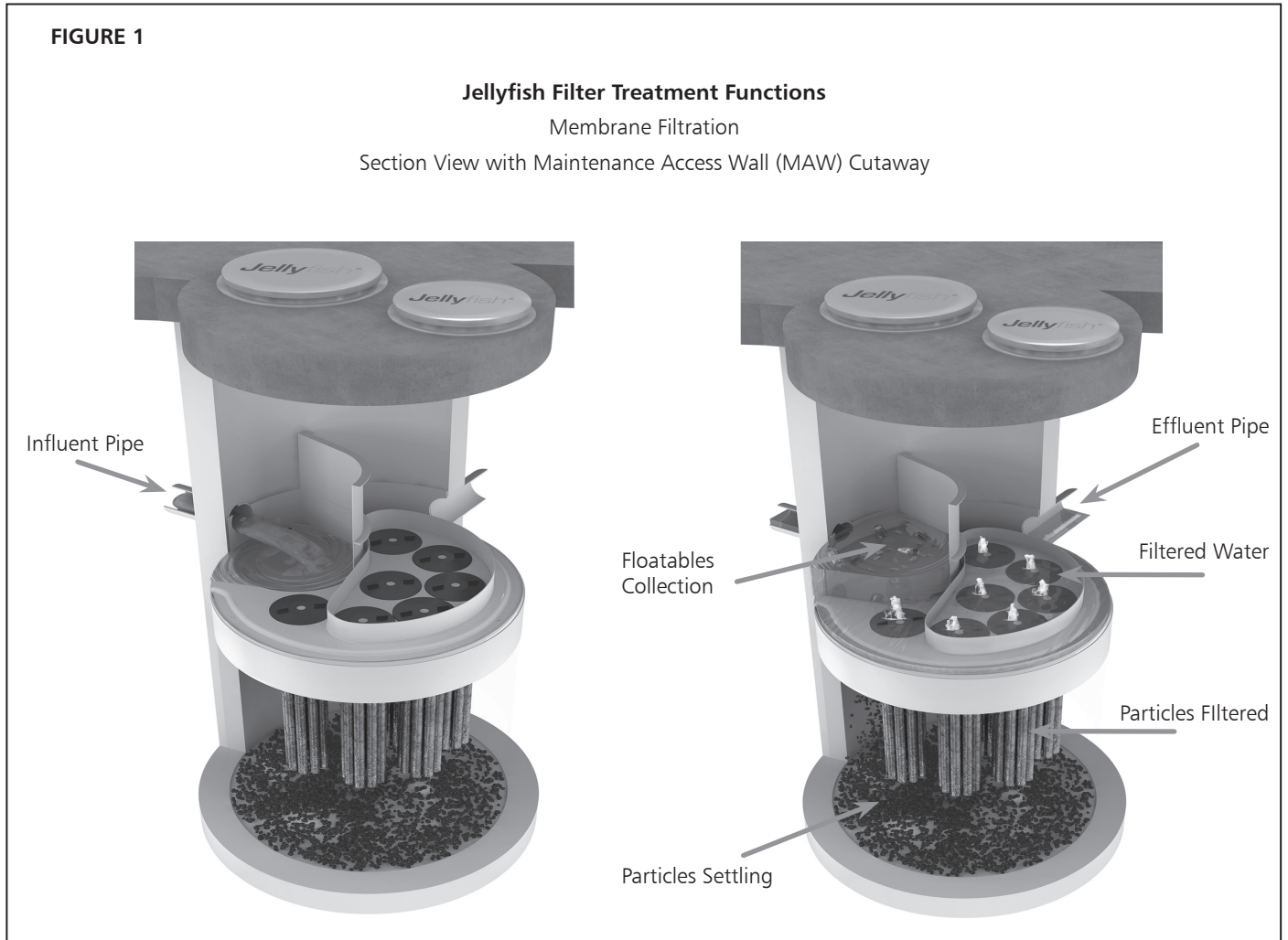
---

## Chapter 2

### 2.0 – Jellyfish Filter System Operations and Functions

The Jellyfish Filter is an engineered stormwater quality treatment technology that removes a high level and wide variety of stormwater pollutants. Each Jellyfish Filter cartridge consists of eleven membrane - encased filter elements (“filtration tentacles”) attached to a cartridge head plate. The filtration tentacles provide a large filtration surface area, resulting in high flow and high pollutant removal capacity.

The Jellyfish Filter functions are depicted in Figure 1 below.



Jellyfish Filter cartridges are backwashed after each peak storm event, which removes accumulated sediment from the membranes. This backwash process extends the service life of the cartridges and increases the time between maintenance events.

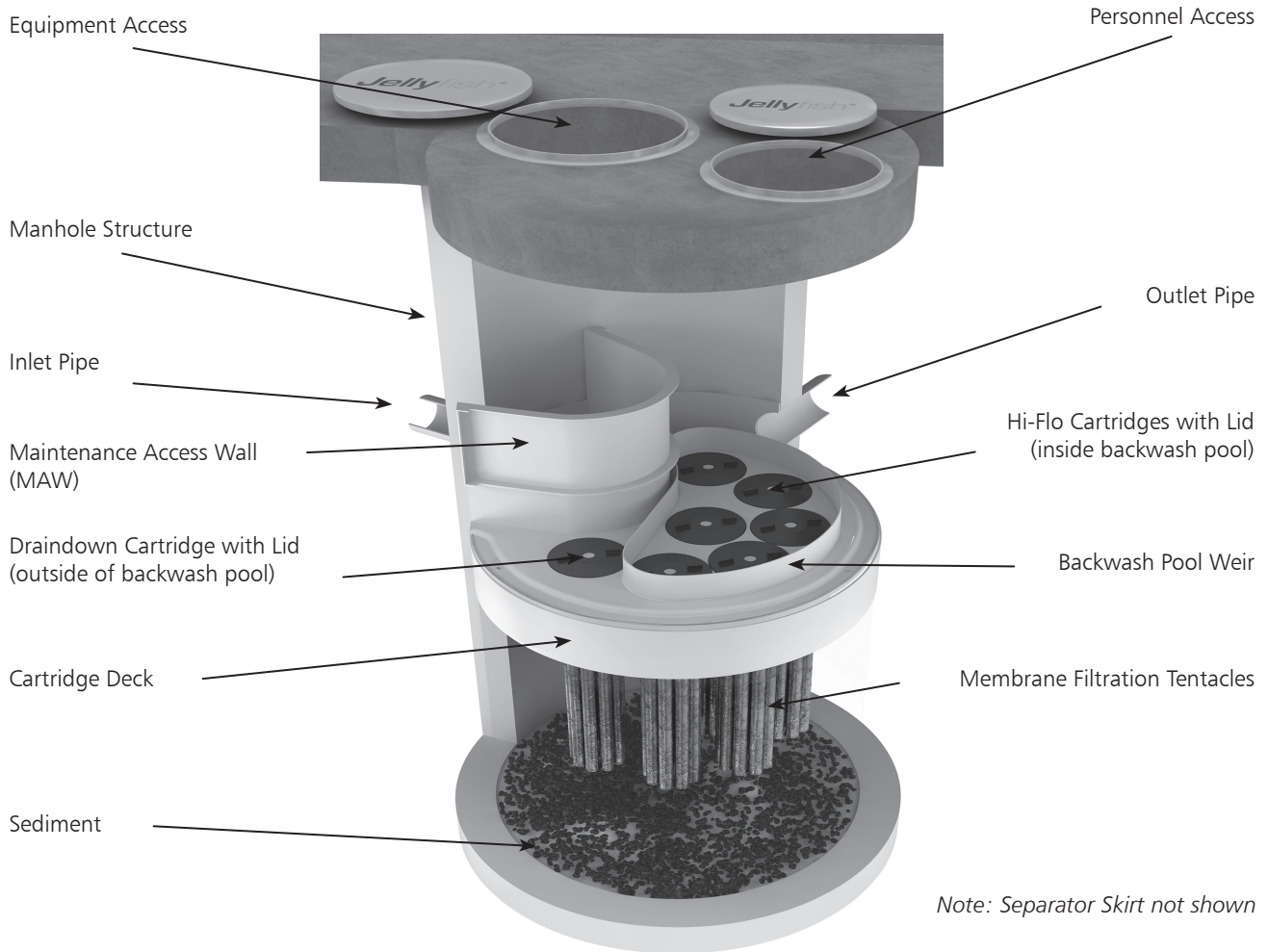
For additional details on the operation and pollutant capabilities of the Jellyfish Filter please refer to additional details on our website at [www.ContechES.com](http://www.ContechES.com).

## 2.1 – Components and Cartridges

The Jellyfish Filter and components are depicted in Figure 2 below.

**FIGURE 2**

### Jellyfish Filter Components



Tentacles are available in various lengths as depicted in Table 1 below.

Table 1 – Cartridge Lengths / Weights and Cartridge Lid Orifice Diameters

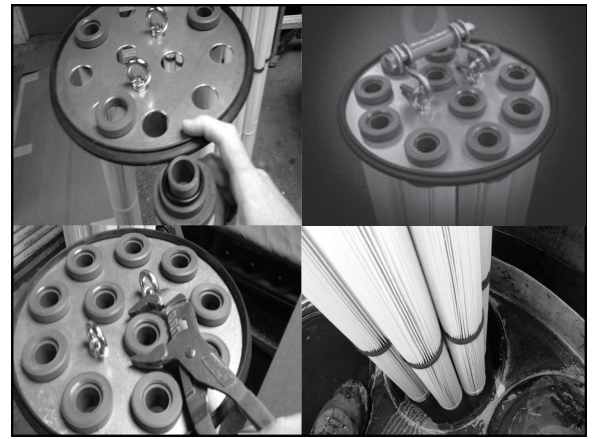
Cartridge Lengths	Dry Weight	Hi-Flo Orifice Diameter	Draindown Orifice Diameter
15 inches (381 mm)	10 lbs (4.5 kg)	35 mm	20 mm
27 inches (686 mm)	14.5 lbs (6.6 kg)	45 mm	25 mm
40 inches (1,016 mm)	19.5 lbs (8.9 kg)	55 mm	30 mm
54 inches (1,372 mm)	25 lbs (11.4 kg)	70 mm	35 mm

## 2.2 – Jellyfish Membrane Filtration Cartridge Assembly

The Jellyfish Filter utilizes multiple membrane filtration cartridges. Each cartridge consists of removable cylindrical filtration “tentacles” attached to a cartridge head plate. Each filtration tentacle has a threaded pipe nipple and o-ring. To attach, insert the top pipe nipples with the o-ring through the head plate holes and secure with locking nuts. Hex nuts to be hand tightened and checked with a wrench as shown below.

## 2.3 – Jellyfish Membrane Filtration Cartridge Installation

- Cartridge installation will be performed by trained individuals and coordinated with the installing site Contractor. Flow diversion devices are required to be in place until the site is stabilized (final paving and landscaping in place). Failure to address this step completely will reduce the time between required maintenance.
- Descend to the cartridge deck (see Safety Notice and page 3).
- Refer to Contech's submittal drawings to determine proper quantity and placement of Hi-Flo, Draindown and Blank cartridges with appropriate lids. Lower the Jellyfish membrane filtration cartridges into the cartridge receptacles within the cartridge deck. It is possible that not all cartridge receptacles will be filled with a filter cartridge. In that case, a blank headplate and blank cartridge lid (no orifice) would be installed.



**Cartridge Assembly**

Do not force the tentacles down into the cartridge receptacle, as this may damage the membranes. Apply downward pressure on the cartridge head plate to seat the lubricated rim gasket (thick circular gasket surrounding the circumference of the head plate) into the cartridge receptacle. (See Figure 3 for details on approved lubricants for use with rim gasket.)

- Examine the cartridge lids to differentiate lids with a small orifice, a large orifice, and no orifice.
  - Lids with a small orifice are to be inserted into the Draindown cartridge receptacles, outside of the backwash pool weir.
  - Lids with a large orifice are to be inserted into the Hi-Flo cartridge receptacles within the backwash pool weir.
  - Lids with no orifice (blank cartridge lids) and a blank headplate are to be inserted into unoccupied cartridge receptacles.
- To install a cartridge lid, align both cartridge lid male threads with the cartridge receptacle female threads before rotating approximately 1/3 of a full rotation until firmly seated. Use of an approved rim gasket lubricant may facilitate installation.



### 3.0 Inspection and Maintenance Overview

The primary purpose of the Jellyfish® Filter is to capture and remove pollutants from stormwater runoff. As with any filtration system, these pollutants must be removed to maintain the filter's maximum treatment performance. Regular inspection and maintenance are required to insure proper functioning of the system. Maintenance frequencies and requirements are site specific and vary depending on pollutant loading. Additional maintenance activities may be required in the event of non-storm event runoff, such as base-flow or seasonal flow, an upstream chemical spill or due to excessive sediment loading from site erosion or extreme runoff events. It is a good practice to inspect the system after major storm events.

Inspection activities are typically conducted from surface observations and include:

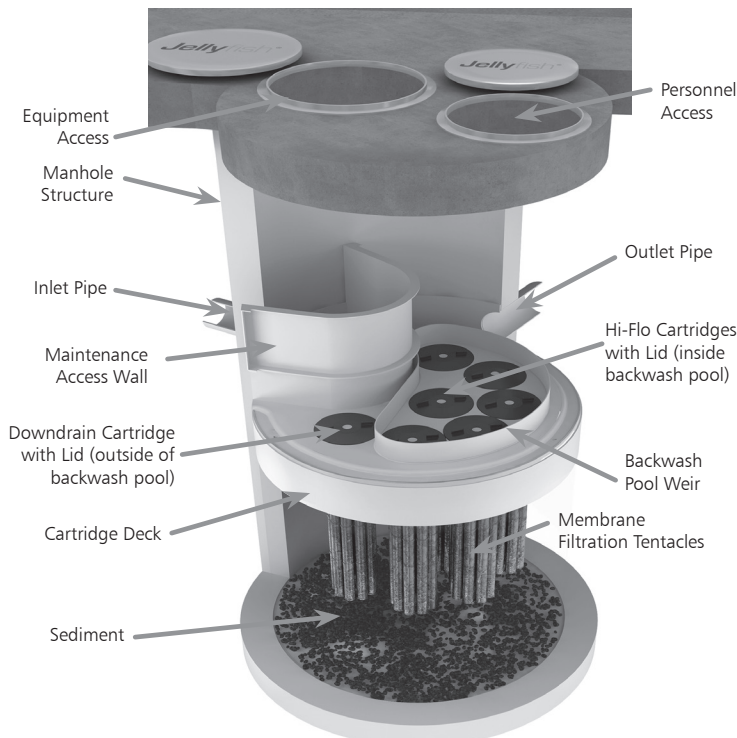
- Observe if standing water is present
- Observe if there is any physical damage to the deck or cartridge lids
- Observe the amount of debris in the Maintenance Access Wall (MAW) or inlet bay for vault systems

Maintenance activities include:

- Removal of oil, floatable trash and debris
- Removal of collected sediments
- Rinsing and re-installing the filter cartridges
- Replace filter cartridge tentacles, as needed

### 4.0 Inspection Timing

Inspection of the Jellyfish Filter is key in determining the maintenance requirements for, and to develop a history of, the site's pollutant loading characteristics. In general, inspections should be performed at the times indicated below; *or per the approved project stormwater quality documents (if applicable), whichever is more frequent.*



1. A minimum of quarterly inspections during the first year of operation to assess the sediment and floatable pollutant accumulation, and to ensure proper functioning of the system.
2. Inspection frequency in subsequent years is based on the inspection and maintenance plan developed in the first year of operation. Minimum frequency should be once per year.
3. Inspection is recommended after each major storm event.
4. Inspection is required immediately after an upstream oil, fuel or other chemical spill.

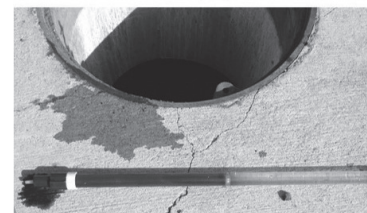
### 5.0 Inspection Procedure

The following procedure is recommended when performing inspections:

1. Provide traffic control measures as necessary.
2. Inspect the MAW or inlet bay for floatable pollutants such as trash, debris, and oil sheen.
3. Measure oil and sediment depth in several locations, by lowering a sediment probe until contact is made with the floor of the structure. Record sediment depth, and presences of any oil layers.
4. Inspect cartridge lids. Missing or damaged cartridge lids to be replaced.
5. Inspect the MAW (where appropriate), cartridge deck and receptacles, and backwash pool weir, for damaged or broken components.

#### 5.1 Dry weather inspections

- Inspect the cartridge deck for standing water, and/or sediment on the deck.
- No standing water under normal operating conditions.
- Standing water inside the backwash pool, but not outside the backwash pool indicates, that the filter cartridges need to be rinsed.



*Inspection Utilizing Sediment Probe*

- Standing water outside the backwash pool is not anticipated and may indicate a backwater condition caused by high water elevation in the receiving water body, or possibly a blockage in downstream infrastructure.
- Any appreciable sediment ( $\geq 1/16''$ ) accumulated on the deck surface should be removed.

## 5.2 Wet weather inspections

- Observe the rate and movement of water in the unit. Note the depth of water above deck elevation within the MAW or inlet bay.
- Less than 6 inches, flow should be exiting the cartridge lids of each of the draindown cartridges (i.e. cartridges located outside the backwash pool).
- Greater than 6 inches, flow should be exiting the cartridge lids of each of the draindown cartridges and each of the hi-flo cartridges (i.e. cartridges located inside the backwash pool), and water should be overflowing the backwash pool weir.
- 18 inches or greater and relatively little flow is exiting the cartridge lids and outlet pipe, this condition indicates that the filter cartridges need to be rinsed.

## 6.0 Maintenance Requirements

Required maintenance for the Jellyfish Filter is based upon results of the most recent inspection, historical maintenance records, or the site specific water quality management plan; whichever is more frequent. In general, maintenance requires some combination of the following:

1. Sediment removal for depths reaching 12 inches or greater, or within 3 years of the most recent sediment cleaning, whichever occurs sooner.
2. Floatable trash, debris, and oil removal.
3. Deck cleaned and free from sediment.
4. Filter cartridges rinsed and re-installed as required by the most recent inspection results, or within 12 months of the most recent filter rinsing, whichever occurs sooner.
5. Replace tentacles if rinsing does not restore adequate hydraulic capacity, remove accumulated sediment, or if damaged or missing. It is recommended that tentacles should remain in service no longer than 5 years before replacement.
6. Damaged or missing cartridge deck components must be repaired or replaced as indicated by results of the most recent inspection.
7. The unit must be cleaned out and filter cartridges inspected immediately after an upstream oil, fuel, or chemical spill. Filter cartridge tentacles should be replaced if damaged or compromised by the spill.

## 7.0 Maintenance Procedure

The following procedures are recommended when maintaining the Jellyfish Filter:

1. Provide traffic control measures as necessary.
2. Open all covers and hatches. Use ventilation equipment as required, according to confined space entry procedures.  
**Caution: Dropping objects onto the cartridge deck may cause damage.**
3. Perform Inspection Procedure prior to maintenance activity.

4. To access the cartridge deck for filter cartridge service, descend into the structure and step directly onto the deck. Caution: Do not step onto the maintenance access wall (MAW) or backwash pool weir, as damage may result. Note that the cartridge deck may be slippery.
5. Maximum weight of maintenance crew and equipment on the cartridge deck not to exceed 450 lbs.

### 7.1 Filter Cartridge Removal

1. Remove a cartridge lid.
2. Remove cartridges from the deck using the lifting loops in the cartridge head plate. Rope or a lifting device (available from Contech) should be used. **Caution: Should a snag occur, do not force the cartridge upward as damage to the tentacles may result. Wet cartridges typically weigh between 100 and 125 lbs.**
3. Replace and secure the cartridge lid on the exposed empty receptacle as a safety precaution. Contech does not recommend exposing more than one empty cartridge receptacle at a time.

### 7.2 Filter Cartridge Rinsing

1. Remove all 11 tentacles from the cartridge head plate. Take care not to lose or damage the O-ring seal as well as the plastic threaded nut and connector.



Cartridge Removal & Lifting Device



2. Position tentacles in a container (or over the MAW), with the threaded connector (open end) facing down, so rinse water is flushed through the membrane and captured in the container.
3. Using the Jellyfish rinse tool (available from Contech) or a low-pressure garden hose sprayer, direct water spray onto the tentacle membrane, sweeping from top to bottom along the length of the tentacle. Rinse until all sediment is removed from the membrane. **Caution: Do not use a high pressure sprayer or focused stream of water on the membrane. Excessive water pressure may damage the membrane.**

4. Collected rinse water is typically removed by vacuum hose.
5. Reassemble cartridges as detailed later in this document. Reuse O-rings and nuts, ensuring proper placement on each tentacle.

### 7.3 Sediment and Floatables Extraction

1. Perform vacuum cleaning of the Jellyfish Filter only after filter cartridges have been removed from the system. Access the lower chamber for vacuum cleaning only through the maintenance access wall (MAW) opening. Be careful not to damage the flexible plastic separator skirt that is attached to the underside of the deck on manhole systems. Do not lower the vacuum wand through a cartridge receptacle, as damage to the receptacle will result.
2. Vacuum floatable trash, debris, and oil, from the MAW opening or inlet bay. Alternatively, floatable solids may be removed by a net or skimmer.



Rinsing Cartridge with Contech Rinse Tool

3. Pressure wash cartridge deck and receptacles to remove all sediment and debris. Sediment should be rinsed into the sump area. Take care not to flush rinse water into the outlet pipe.
4. Remove water from the sump area. Vacuum or pump equipment should only be introduced through the MAW or inlet bay.
5. Remove the sediment from the bottom of the unit through the MAW or inlet bay opening.



Vacuuming Sump Through MAW

6. For larger diameter Jellyfish Filter manholes ( $\geq 8$ -ft) and some vaults complete sediment removal may be facilitated by removing a cartridge lid from an empty receptacle and inserting a jetting wand (not a vacuum wand) through the receptacle. Use the sprayer to rinse loosened sediment toward the vacuum hose in the MAW opening, being careful not to damage the receptacle.

### 7.4 Filter Cartridge Reinstallation and Replacement

1. Cartridges should be installed after the deck has been cleaned. It is important that the receptacle surfaces be free from grit and debris.
2. Remove cartridge lid from deck and carefully lower the filter cartridge into the receptacle until head plate gasket is seated squarely in receptacle. **Caution: Do not force the cartridge downward; damage may occur.**
3. Replace the cartridge lid and check to see that both male threads are properly seated before rotating approximately 1/3 of a full rotation until firmly seated. Use of an approved rim gasket lubricant may facilitate installation. See next page for additional details.
4. If rinsing is ineffective in removing sediment from the tentacles, or if tentacles are damaged, provisions must be made to replace the spent or damaged tentacles with new tentacles. Contact Contech to order replacement tentacles.

### 7.5 Chemical Spills

**Caution: If a chemical spill has been captured, do not attempt maintenance. Immediately contact the local hazard response agency and contact Contech.**

### 7.6 Material Disposal

The accumulated sediment found in stormwater treatment and conveyance systems must be handled and disposed of in accordance with regulatory protocols. It is possible for sediments to contain measurable concentrations of heavy metals and organic chemicals (such as pesticides and petroleum products). Areas with the greatest potential for high pollutant loading include industrial areas and heavily traveled roads. Sediments and water must be disposed of in accordance with all applicable waste disposal regulations. When scheduling maintenance, consideration must be made for the disposal of solid and liquid wastes. This typically requires coordination with a local landfill for solid waste disposal. For liquid waste disposal a number of options are available including a municipal vacuum truck decant facility, local waste water treatment plant or on-site treatment and discharge.

# Jellyfish Filter Components & Filter Cartridge Assembly and Installation

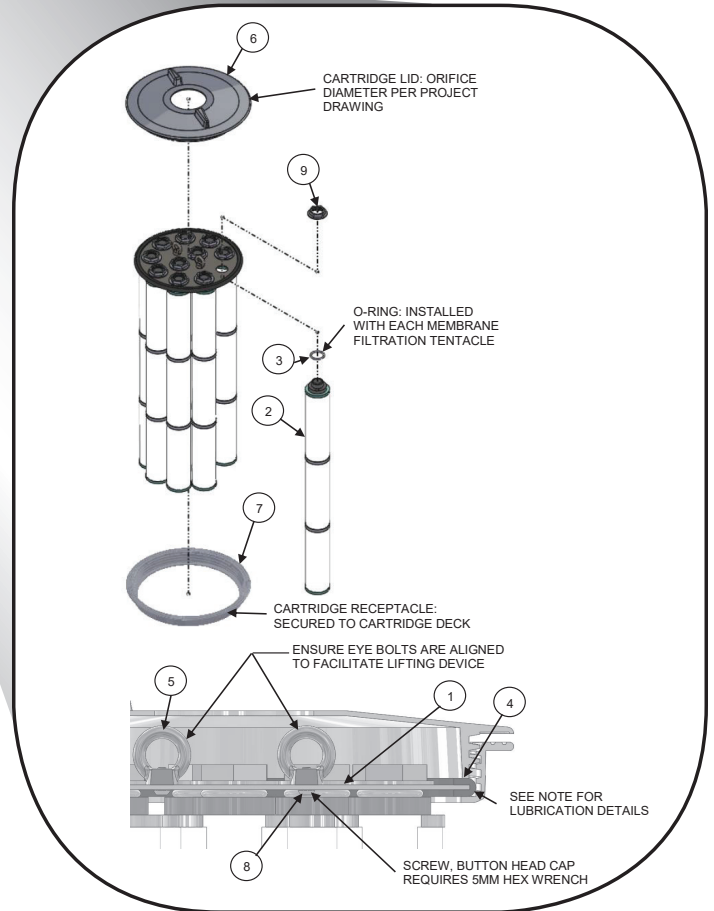
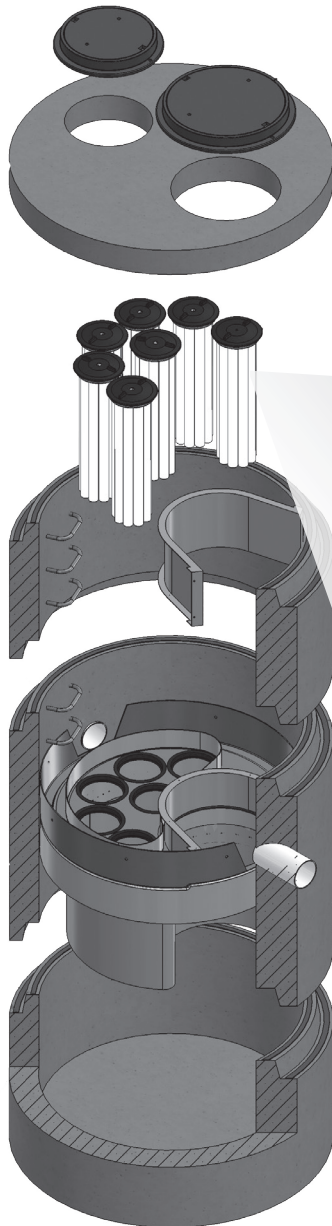


TABLE 1: BOM

ITEM NO.	DESCRIPTION
1	JF HEAD PLATE
2	JF TENTACLE
3	JF O-RING
4	JF HEAD PLATE GASKET
5	JF CARTRIDGE EYELET
6	JF 14IN COVER
7	JF RECEPTACLE
8	BUTTON HEAD CAP SCREW M6X14MM SS
9	JF CARTRIDGE NUT

TABLE 2: APPROVED GASKET LUBRICANTS

PART NO.	MFR	DESCRIPTION
78713	LA-CO	LUBRI-JOINT
40501	HERCULES	DUCK BUTTER
30600	OATEY	PIPE LUBRICANT
PSLUBXL1Q	PROSELECT	PIPE JOINT LUBRICANT

## NOTES:

### Head Plate Gasket Installation:

Install Head Plate Gasket (Item 4) onto the Head Plate (Item 1) and liberally apply a lubricant from Table 2: Approved Gasket Lubricants onto the gasket where it contacts the Receptacle (Item 7) and Cartridge Lid (Item 6). Follow Lubricant manufacturer's instructions.

### Lid Assembly:

Rotate Cartridge Lid counter-clockwise until both male threads drop down and properly seat. Then rotate Cartridge Lid clock-wise approximately one-third of a full rotation until Cartridge Lid is firmly secured, creating a watertight seal.

# Jellyfish Filter Inspection and Maintenance Log

Owner: \_\_\_\_\_ Jellyfish Model No.: \_\_\_\_\_

Location: \_\_\_\_\_ GPS Coordinates: \_\_\_\_\_

Land Use:      Commercial: \_\_\_\_\_      Industrial: \_\_\_\_\_      Service Station: \_\_\_\_\_  
                  Road/Highway: \_\_\_\_\_      Airport: \_\_\_\_\_      Residential: \_\_\_\_\_      Parking Lot: \_\_\_\_\_

Date/Time:					
Inspector:					
Maintenance Contractor:					
Visible Oil Present: (Y/N)					
Oil Quantity Removed					
Floatable Debris Present: (Y/N)					
Floatable Debris removed: (Y/N)					
Water Depth in Backwash Pool					
Cartridges externally rinsed/re-commissioned: (Y/N)					
New tentacles put on Cartridges: (Y/N)					
Sediment Depth Measured: (Y/N)					
Sediment Depth (inches or mm):					
Sediment Removed: (Y/N)					
Cartridge Lids intact: (Y/N)					
Observed Damage:					
Comments:					